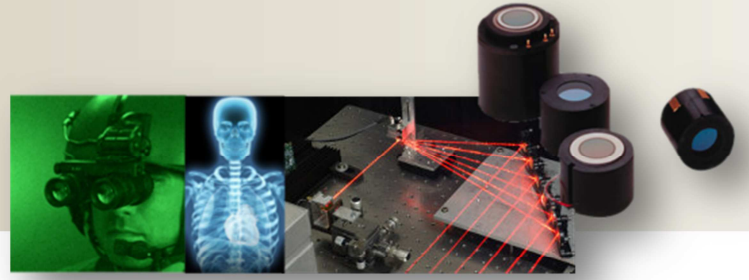




Voltage Multipliers

VM4 3000 Vdc



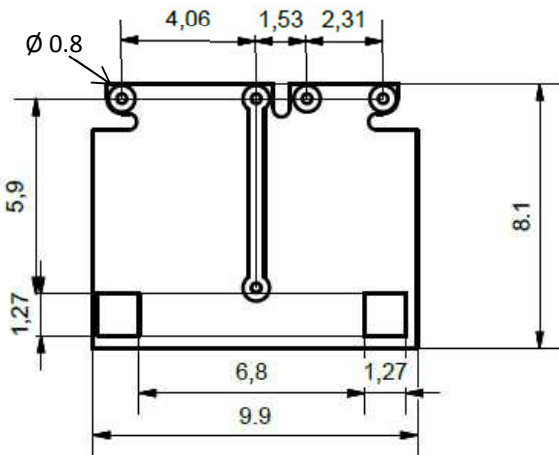
Miniaturized Half Wave Voltage Multiplier

- Ultra small size
- Highly Efficient
- ITAR free
- Uniform stress on diodes

Plating: Electroless Nickel / Immersion Gold (ENIG)

Tolerance: ± 0.25mm

Unit: Millimeters



Vout Ac Gnd Vin

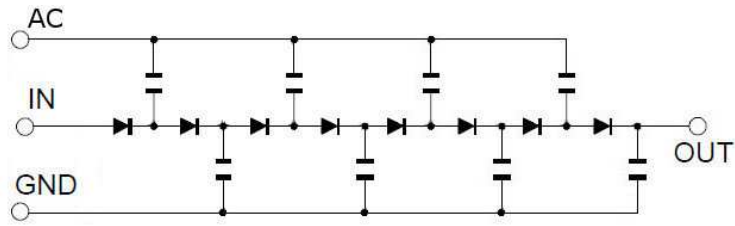


Minimum 0.8 mm free on the metallic pads

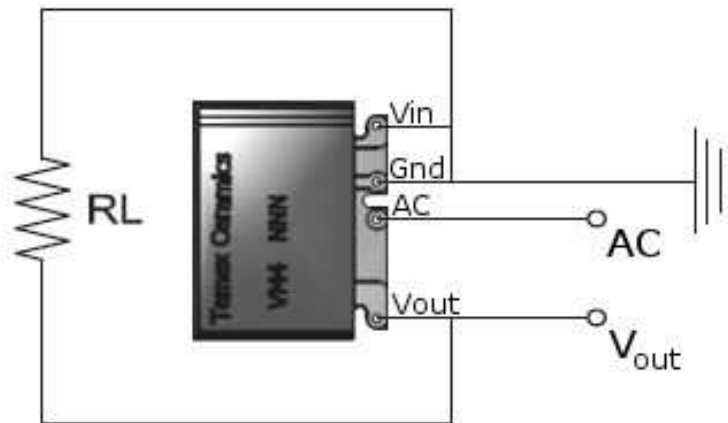
Part Number	302 VM4
Maximum A.C. Input Voltage	800 Vpp
Maximum D.C. Output Voltage	3000 Vdc
Typical Output Current Range	0 to 50 µA
Typical Frequency	10 to 100 KHz
Number of Stages	8
Operating and storage Temperatures	-55°C to +125°C
Pin finish	ENIG Gold
Peak wave solder temperature	260°C 2mm
Peak reflow temperature	260°C
Floor Life	MSL/JDEC 2

The component must be coated on the board to prevent electrical arcs

- **Electrical equivalent circuit**



- **Typical multiplier circuit**



2 Multipliers can be mounted in Series for a DC output up to 6000V.

Output Voltage Vs. Input Voltage

