

FREQUENCY STABILITY	
FREQUENCY STABILITY OVERALL INCLUDED LONG TERM AGING 15 YEARS: < ±4.6 ppm	
HOLDOVER STABILITY DURING 24 HOURS INCLUDING LOAD, SUPPLY VOLTAGE AND TEM- PERATURE VARIATION: < ±0.28 ppm (0.56 ppm p-to-p)	
POWER SUPPLY	
SUPPLY INPUT:	V _{cc} = 5 V ±0.2 V*
INPUT CURRENT :	< 80 mA @ +30 °C*
INPUT CURRENT :	< 120 mA @ -20 °C*
FREQUENCY CONTROL RANGE	
CONTROL VOLTAGE:	Not applicable, pin 1 must be connected to ground (see note 2)
INTERNAL CALIBRATION:	< ±1 ppm *
OUTPUT	
OUTPUT SIGNAL:	HC-MOS compatible
SYMMETRY:	45 (min.) /55 (max.) % @ V _{cc} / 2 *
RISE AND FALL TIME:	tr < 7ns tf < 7 ns *
LEVEL „0“ AND „1“:	< 0.4 V > V _{cc} -0.5 V
FAN OUT (LOAD):	10 LS or 47pF max.
ENVIRONMENT	
OPERABLE TEMP. RANGE:	-40 to +85 °C
STORAGE TEMP. RANGE:	-65 to +125 °C
VIBRATION:	10 to 2000 Hz / 10 g
SHOCK:	2000 g, 0.3 ms, ½ sine
PACKAGE:	DIL 14, 4 pins, GND to case
PACKAGE HEIGHT:	8 mm (see packaging info)
WARM-UP	
ΔF/F:	within spec after 30s @ 0 °C *
CURRENT:	< 250 mA during 10s
MISCELLANEOUS	
SHORT TERM STABILITY:	< 5 E-10 0.1 s to 30 s Typical 5 E-11 @ 1 s
PHASE NOISE (BW = 1Hz):	10 Hz: -100 dBc / Hz (typical, @ 10MHz in static conditions) 100 Hz: -130 dBc / Hz 1 KHz: -140 dBc / Hz 10 KHz: -145 dBc / Hz
* Customer's specification on request	

NOTE 1	
OCXOVST-D	
TEMP. RANGE *	0 to +70 °C
OCXOVST-C	
TEMP. RANGE *	-40 to +85 °C

NOTE 2	
On request:	
Possibility of frequency adjustment with control voltage.	

MARKING EXAMPLE			
Micro Crystal		Micro Crystal	
OCXOVST-C		Type	Spec No.
12.800 MHz	09.25	Frequency	Date Code
○	12	○ (PIN 1)	Piece No.

ORDERING INFORMATION EXAMPLE			
O C X O V S T - C 12.8 MHz x x x			
Oscillator Type	OCXO	VST	C
OCXO = Oven Controlled Crystal Oscillator			
Oscillator Version	V	ST	12.8 MHz
V = low power voltage 5V ST = Stratum 3 application			x x x
Temperature Range	C	D	N° of customer spec.
C = -40 to +85 °C D = 0 to +70 °C			Oscillator output frequency

STANDARD FREQUENCIES (MHz)					
12.8000	16.3840	19.4400	20.0000	26.0000	40.0000
50.0000	52.0000				

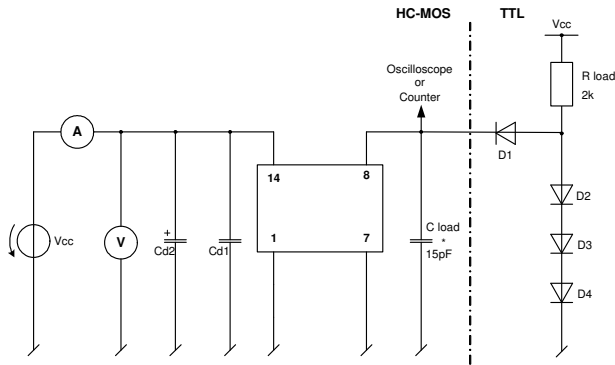
DATE:	September 2010	Revision No.: 4
Page 1/2		

In accordance with our policy of continuous development and improvement,
we reserve the right to modify the design or the specifications of our products without prior notice.

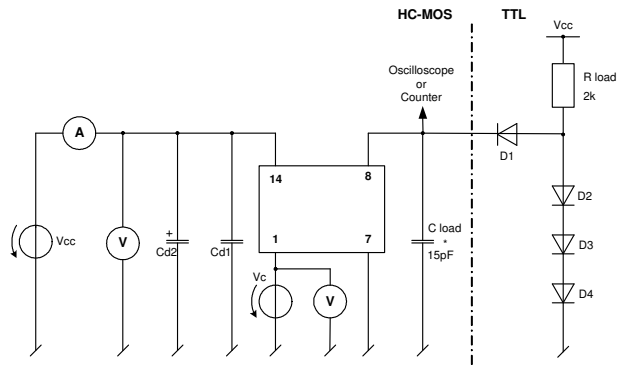
Headquarters: Micro Crystal AG Mühlestrasse 14 CH-2540 Grenchen Switzerland	Tel. +41 32 655 82 82 Fax +41 32 655 80 90 Internet www.microcrystal.ch Email sales@microcrystal.ch
---	---

Application and Test Circuit:

No Frequency Adjustment

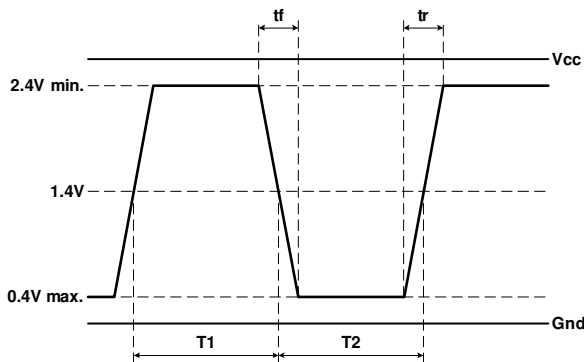


Adjustment with voltage

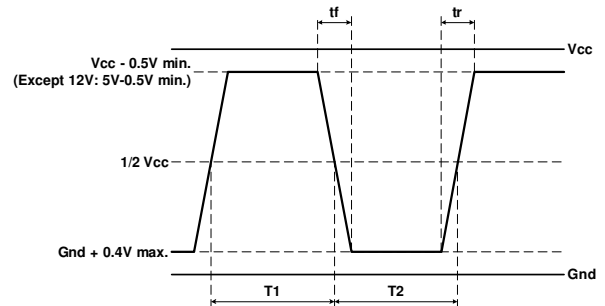


Waveform Output:

Waveshape TTL



Waveshape HC-MOS



$$Duty\ Cycle = 100 \times \frac{T1}{T1 + T2} [\%]$$

In accordance with our policy of continuous development and improvement, we reserve the right to modify the design or the specifications of our products without prior notice.